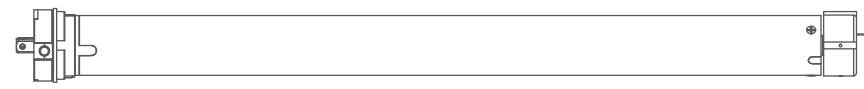


SAFETY NOTE

- 1, This appliance can be used by children aged from 8 years and above and persons with reduced physical, sensory or mental capabilities or lack of experience and knowledge if they have been given supervision or instruction concerning use of the appliance in a safe way and understand the hazards involved.
- 2, Children shall not play with the appliance.
- 3, Cleaning and user maintenance shall not be made by children without supervision.
- 4, If the supply cord is damaged, it must be replaced by the manufacturer, its service agent or similarly qualified persons in order to avoid a hazard.
- 5, **WARNING:** the drive shall be disconnected from its power source during cleaning, maintenance and when replacing parts.
- 6, The instructions shall state that the A-weighted emission sound pressure level of the drive is equal to or less than 70 dB(A), e.g. by writing $L_{pA} \leq 70 \text{ dB(A)}$.
- 7, The mass and the dimension of the driven part shall be compatible with the rated torque and rated operating time.
- 8, The type of driven part the drive is intended for.
- 9, **WARNING:** Important safety instructions. It is important for the safety of persons to follow these instructions. Save these instructions.
- 10, Do not allow children to play with fixed controls. Keep remote controls away from children
- 11, Frequently examine the installation for imbalance and signs of wear or damage to cables and springs. Do not use if repair or adjustment is necessary
- 12, Watch the moving shutter and keep people away until he shutter is completely closed
- 13, **WARNING:** Important safety instructions. Follow all instructions, since incorrect installation can lead to severe injury.
- 14, Before installing the drive, remove any unnecessary cords and disable any equipment not needed for powered operation



Tubular Motor- DM35LE Specification(A-02)



Apply to DM35LE DM45LEQ

Product introduction

⚠ One motor maximum can store 10 channels, over 10 channels, if still need add new channels, it will be repeating covered last channel.



Functional features:

- Electronic Limit
- Stall Protection
- Jog & Tilt
- Program Button
- DC Power
- Built-in Lithium Battery
- Solar Charging
- Switch Direction
- Built-in Receiver
- Preferred Stop Position
- Reset to Factor Mode
- Memorized Setting
- Quiet

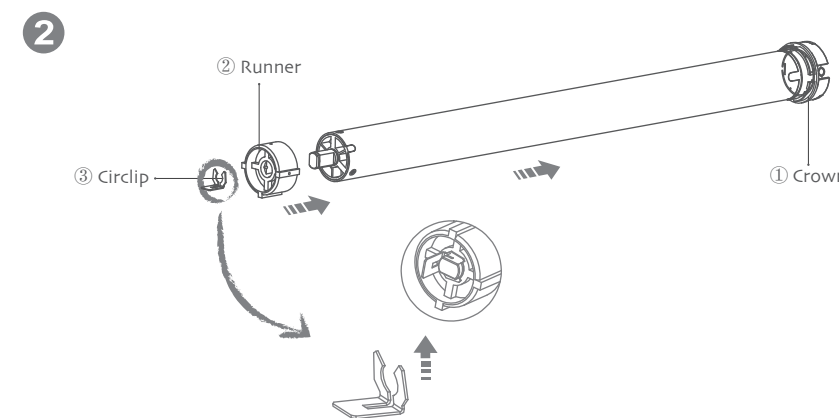
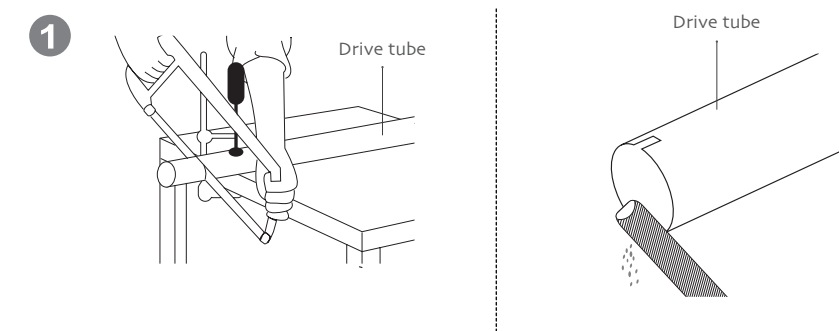


Parameter (More models and parameters are subject to the nameplate)

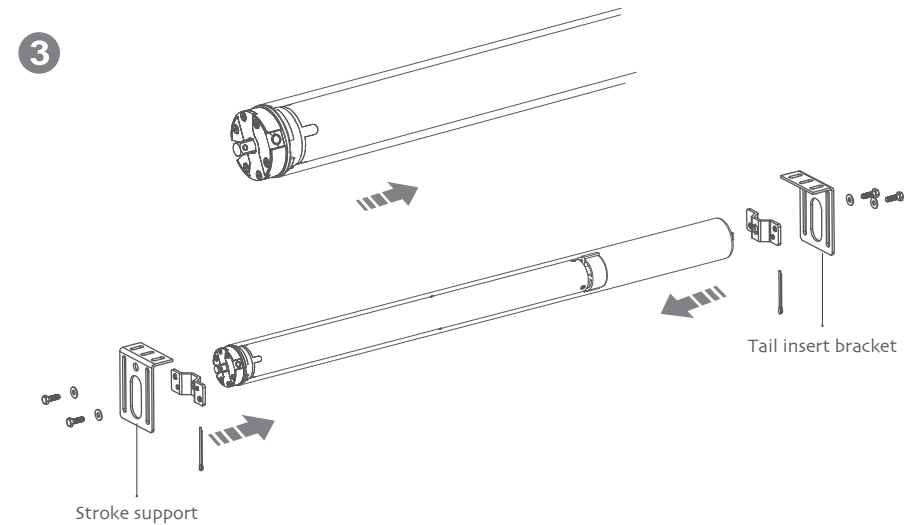
Type	DM35LE-3N/28r		DM45LEQ-3N/28r	
	Rated Torque(N.m)	3N.m	10N.m	3N.m
Rated Speed(RPM)	28RPM	9RPM	28RPM	9RPM
Rated Current(A)	2.2A	2.2A	2.1A	2.2A
Rated Voltage(V)	12V	12V	12V	12V
Emission Frequency(MHz)	433.925MHz	433.925MHz	433.925MHz	433.925MHz

Motor installation

- ① Driving tube must be close-fitting with crown and drive adapter.
- ② Choose crown and drive adapter based on the driving tube.

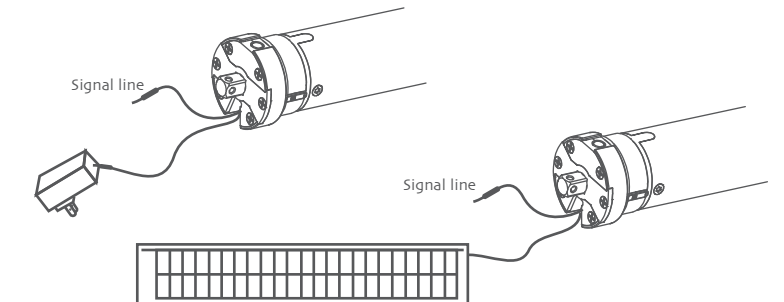


3



Charging instructions

⚠ The motor has a built-in battery, using the charger DC1653 (3.0Nm motor) to recharge. You can also use solar panels DC1289A(B/C) to charge; when the battery is low, insert the charge, charger light shows red light, batteries is full when the red light turns to green.

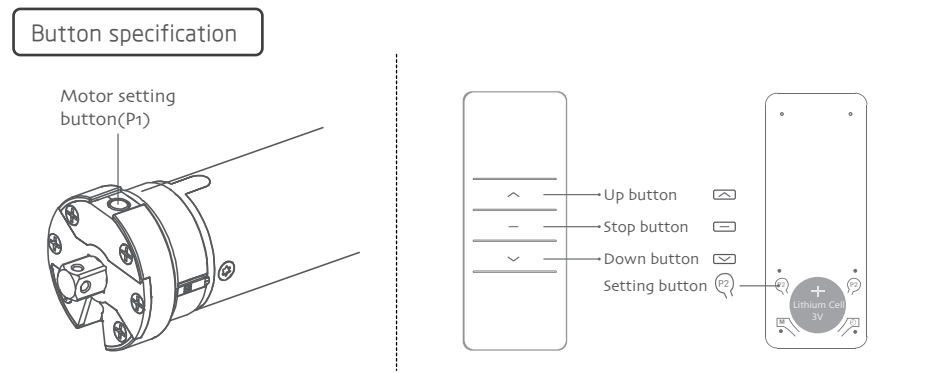


Operation note

⚠ Please read the following precautions before use:

1. Before using for the first time, please charge, ensure a full charge before use.
2. Don't operate motors when low voltage alarm:
 - ① When the power supply voltage is lower than 6.8V, the motor stops running, when the voltage is more than 7.5V to restart.
 - ② When the power supply voltage is lower than 10V, every time the motor is running, start alarm 10 times, tip need to recharge.
3. Operating:
 - ① The valid interval of the emitter button is 10s, the emitter will quit the set after 10s.
 - ② The motor will run or beep for hint, please do the next step after the hint.
4. Set limit position:
 - ① The up/down limit position can't at the same position.
 - ② After limit setting, with power off and memory function.
 - ③ Into the match-code status 2 minutes later, it will quit out the setting limits status automatically.
 - ④ It will delete every memory and restore the factory settings.
5. When the motor running without any operation, the maximum running time is 6 minutes, it will stop automatically.
6. If the emitter lost, new emitter can through the code way to add emitter quickly and retain the limit.





1 Setting up

P2→P2→Up

If you need to reverse the rotation of the motor controlled by the emitter, please run the reverse of direction setting.

2 Limit position setting

1, Enter the limit position setting mode P2→Up→P2

Note: In the process of motor running upward or downward, press the emitter setting button, the motor enters the stepping operation state, can precisely set the limit position, press the setting button again to exit the stepping mode.

2, Set the up limit position Up→Stop→Stop

3, Set the down limit position Down→Stop→Stop

Note: The motor power off, then re-power on, the motor will exit the limit settings mode; Unfinished limit setting withdraw from limit position setting mode, if setting before have limit then continue to use the previous limit.

3 Preferred stop position

P2→Stop→Stop

1, Set preferred stop position

After the up limit and down limit setting, you can set preferred stop position between them as the half open position.

Note: Continuous moving mode, long press stop button, the curtain run directly from the current position to preferred stop position (Apply to the shade); Jog-move mode, long press stop button, The motor will first run to the down limit position, then run to preferred stop position (Apply to venetian blinds).

2, Clear preferred stop position

4 Jog-move/continuous moving setting

P2→Up→Down

Note: Repeat this operation to cancel jog-move function; In the jog-move mode, short press up/down button 2s to loosen, the motor is jog-move to run; If long press more than 2s, the motor run continuously.

5 Fine-tuning the up/down limit position

Up+Down→Up/Down→Stop

Run the curtain to the up/down limit to perform the following operations.

Note: After the fine-tuning is successfully adjusted, the original preferred stop position will be automatically deleted. If the fine-tuning is unsuccessful, the original limits will still be applied.

6 Add emitter

Method one: Normal add P2 a→P2 a→P2 b

Note: Emitter a is the one already matched code, while emitter b has not.

Method two: Quick add (Up+Down) b

Note: Emitter b has not matched code, need to add the emitter; After the success of added emitter, all of the original motor settings are retained.

7 Cancel limit

P2→Down→P2

Note: This operation together with the preferred stop position to delete.

8 Delete emitter

1, Delete one emitter P2 a→P2 a→P2 b

Note: a b are all of the code emitters, this method only can delete the emitter b not the emitter a

2, Delete all emitters P2→Stop→P2

Note: After the success of delete emitter to retain all the settings of the original motor.

Motor P1 button operation

1, Short press operation

Note: This operation should be carried out under the conditions of motor has the limit.

2, Setting up or add emitter

3, Wireless shielding mode

Note: after entering the wireless shield mode, the motor can not be controlled by the emitter, and the wireless reception function can be restored by pressing the P1 button.

4, Switch direction

Note: After the success of the reversing, retain all motor original settings.

5, Reset to factor mode

Note: After the Reset to factor mode, will delete all previous system function setting and the emitter code.

Fault and solution

NUMBER	PHENOMENON	REASON	PROCESSING METHOD
1	The motor is not running	a, The battery is not activated. b, The emitter is not matched. c, If press P1 button for a long time while with no reaction, may be the power is short-circuit or the circuit board or the motor is broken.	a, Activate the motor after fully charged b, Setting up the match code c, Contact the engineers for after-sales

Tubular Motor-DM35LE Specification(A-02)



Apply to DM35LE DM45LEQ